


PRODUCT SHEET

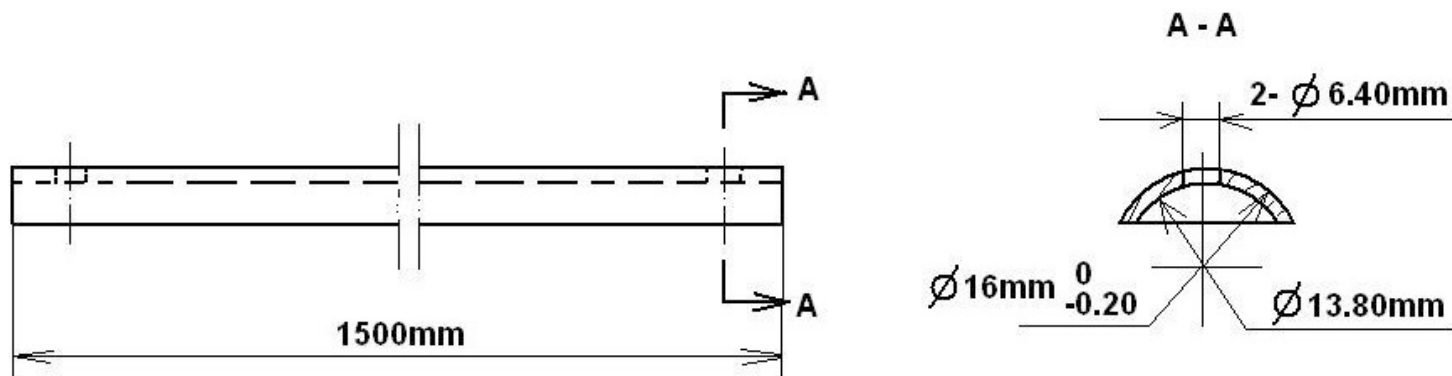
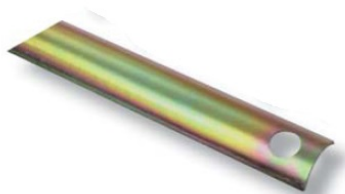
Description:

Locking Bar 1500mm, For Pasquil Lock 844, Steel-Yellow Zinc

Item number:

14.05.560-1

Units	Box	Carton	HS Code	Barcode
Pcs.	10	100	8301600090	 5704866464086



Material: steel

Finishing: yellow zinc plated or black plastic coated.

SISO A/S

Mileparken 11
DK-2740 Skovlunde
Denmark
VAT: DK 24786013

Phone +45 45 830 900

www.siso.dk
siso@siso.dk

Danske Bank
Nytorv Branch
Copenhagen
SWIFT: DABADKKK

Account no.
4180 3112 112936
IBAN Account
DK7230003112112936